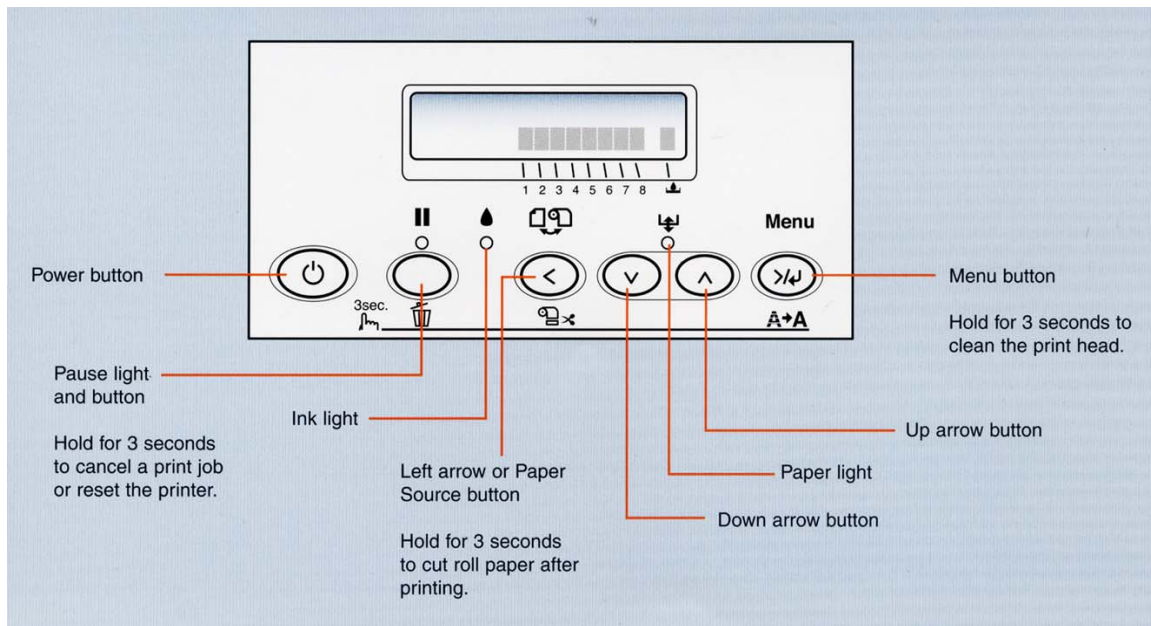


HOW TO ELIMINATE CARTRIDGE CHIP DETECTION IN AN EPSON 4000 PRINTER

CAUTION: YOU SHOULD ONLY MODIFY A PRINTER THAT HAS A BULK INK DELIVERY SYSTEM INSTALLED

EVEN THOUGH THE CHIP DOES NOT COUNT THE INK DROPLETS, A VALID CHIP IS REQUIRED ON THE CARTRIDGE



1. POWER OFF
2. DEPRESS THE PAPER SOURCE, DOWN ARROW AND UP ARROW, HOLD WHILE DEPRESSING THE POWER BUTTON. Release the power button, then release all three buttons.
3. *SELF TESTING* WILL BE DISPLAYED. PRESS THE DOWN ARROW BUTTON 1X. *SERVICE CONFIG* WILL BE DISPLAYED. PRESS THE MENU BUTTON 1 X, THEN
4. PRESS DOWN ARROW 2X UNTIL YOU SEE *EDMODE*. PRESS THE MENU BUTTON 1 X, THEN
5. PRESS THE DOWN ARROW BUTTON UNTIL 0 IS DISPLAYED. PRESS THE MENU BUTTON TO ACCEPT. THEN POWER OFF.

YOUR PRINTER WILL NO LONGER COUNT DROPLETS

REV091304